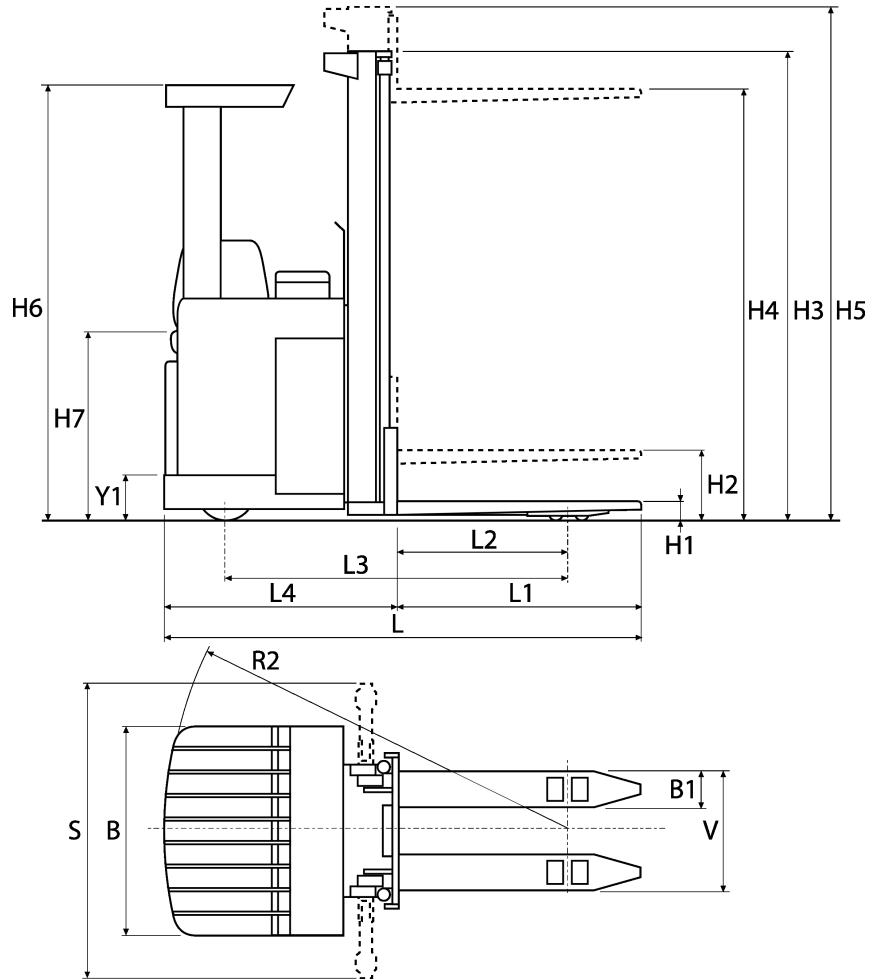


SIT-ON STACKER



ERGO XJN 200SDTFV

The most economical, comfortable and productive stacker for long work cycles; remarkably compact with high handling efficiency. Many options available.



Mast Type	Standard lift height H4	Min mast height	Max mast height H5
Telescopic			
Double telescopic	4350	2000	4868
	4800	2150	5318
	5400	2350	5918
	5700	2450	6218
	6300	2650	6818

		Specification			ERGO XJN 200SDFV	
Lift capacities	0a	Straddle leg position			Narrow	
	1	Lift capacity	Q	kg	2000	
	1a	Load centre	D	mm	600	
	2	Lift height	H4	mm	See table	
	2a	Mast height	H3/H5	mm	See table	
	2b	Transport free lift	H2 TV mast	mm		
	2c	Full free lift	H2 DT mast	mm	H3-800	
	2d	Straddle lift		mm		
	3	Mast tilt. Forward - backward				
	3a	Tilting forks. Forward - backward				
Drive capacities	4	Lift speed. Without load - with load			m/s	
	4a	Lift time. Without load - with load			s	
	4b	Lift speed, ergolift. Without load - with load			m/s	
	5	Lowering speed. Without load - with load			m/s	
	5a	Lowering time. Without load - with load			s	
	6	Drive speed. Without load - with load			km/h	
	6a	Drive speed. Without load - with load			m/s	
		Acceleration 0-10 m				
		Without load - with load			s	
	8	Gradient, without load / with load		max	%	7
10	Turning radius		R2	mm	1836	
Truck measurements	11	Smallest practical stacking aisle incl 200 mm play				
		Load length 1200 mm	Ast	mm	2442	
		Load length 1000 mm	Ast	mm	2242	
		Load length 800 mm	Ast	mm	2042	
		Aisle width requirement according to BITA GN9 UK market only				
			A1	mm		
			A2	mm		
			A3	mm		
		Smallest practical stacking aisle with pallet LL 1200 with the platform folded up/folded down			Min	
	11a	Intersecting aisle width. Load length 1200 mm			Min	
11c	Max load length			LL		
11d	Max load width			LB		
Weights	13	Height of overhead guard			H6	
	13a	Height of driver seat			H7	
	13b	Step-in height			Y1	
	13c	Floor height				
	13d	Width of open gate				
	14	Truck length			L	
	15	Truck width			B	
	15a	Width over guide wheels			A	
	15b	Width over stabilisers			S	
	15c	Platform length				
15d	Platform width			B3		
15e	Height of platform gates					
Motors	16	Fork length			L1	
	17	Width over forks			V max/min	
	17a	Width between forks				
	18	Reach length			U	
	19	Distance from back plate to retracted fork heel			L4 T-mast	
		Distance from back plate to retracted fork heel			L4 DT-mast	
	20	Fork arm, width - thickness			B1	
	20a	Fork height, lowered, max			H1	
	21	Straddle height			H8	
	22	Width between straddles			B2	
Steering/brake system	22a	Width over straddles				
	23	Distance between front axle and retracted fork heel			L2	
	23a	Distance between front axle and centre of attachment			L2	
	23b	Distance between front axle and heel of extended fork			X1	
	24	Axle distance			L3	
	25	Wheel track, front rear (centre lines wheels)				
	26	Ground clearance at half axle distance				
	27	Total weight with-without battery.				
	28	Max axle pressure, fork side, without/ with classified load				
	29	Max axle load, drive side, without/with classified load				
30	Max wheel point loading, without/with classified load					
Steering/brake system	39	Battery capacity			kWh/Ah	
	39a	Battery voltage			V	
	41	Drive motor			kW	
	42	Speed regulation				
	43	Lift motor. Output/Interm. conn.time			kW-%/min	
Steering/brake system	43a	Hydraulic pressure			MPa	
	44	Wheel type, drive wheel/others			Rubber/Vulcollan	
	44a	Number of wheels, drive/castor - load wheels			3 - 4	
	45	Wheel dimensions				
	45a	Load wheels - diameter x width			mm	
	45b	Drive wheel - diameter x width			mm	
	45c	Castor wheels - diameter x width			mm	
	46	Steering			El. servo	
47	Service brake - Type-acting on			El. - drive motor		
48	Parking brake - Type-acting on.			Mech. - drive motor		

* Varies according to battery size

All rights reserved to change above specification